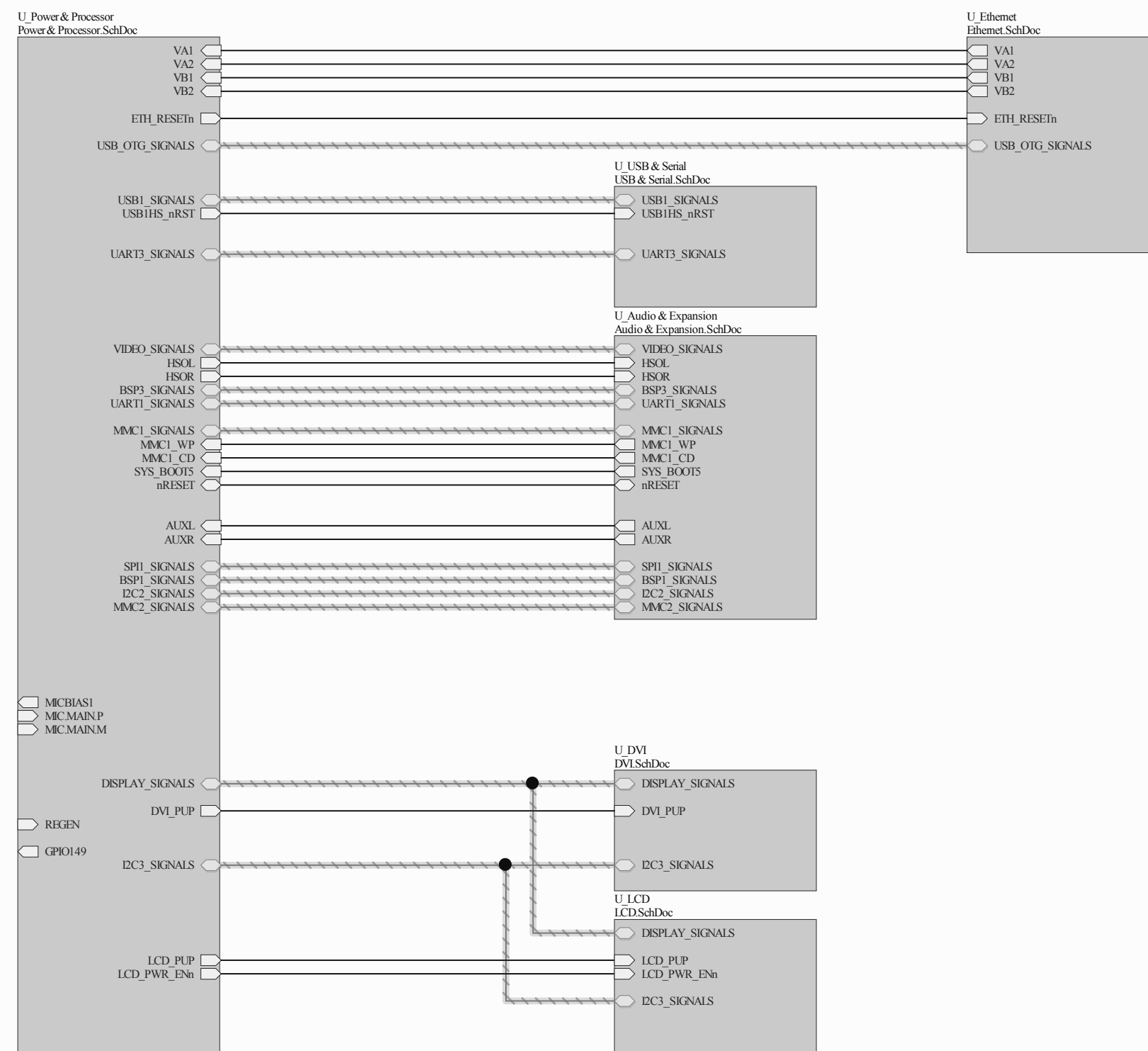
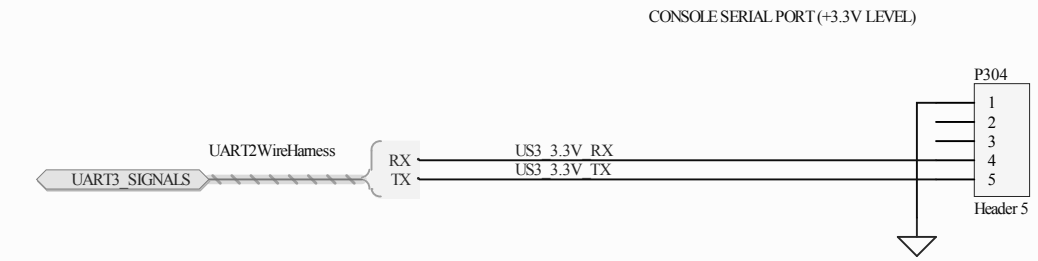
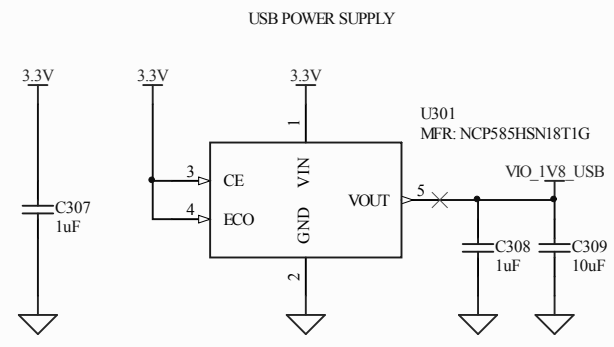
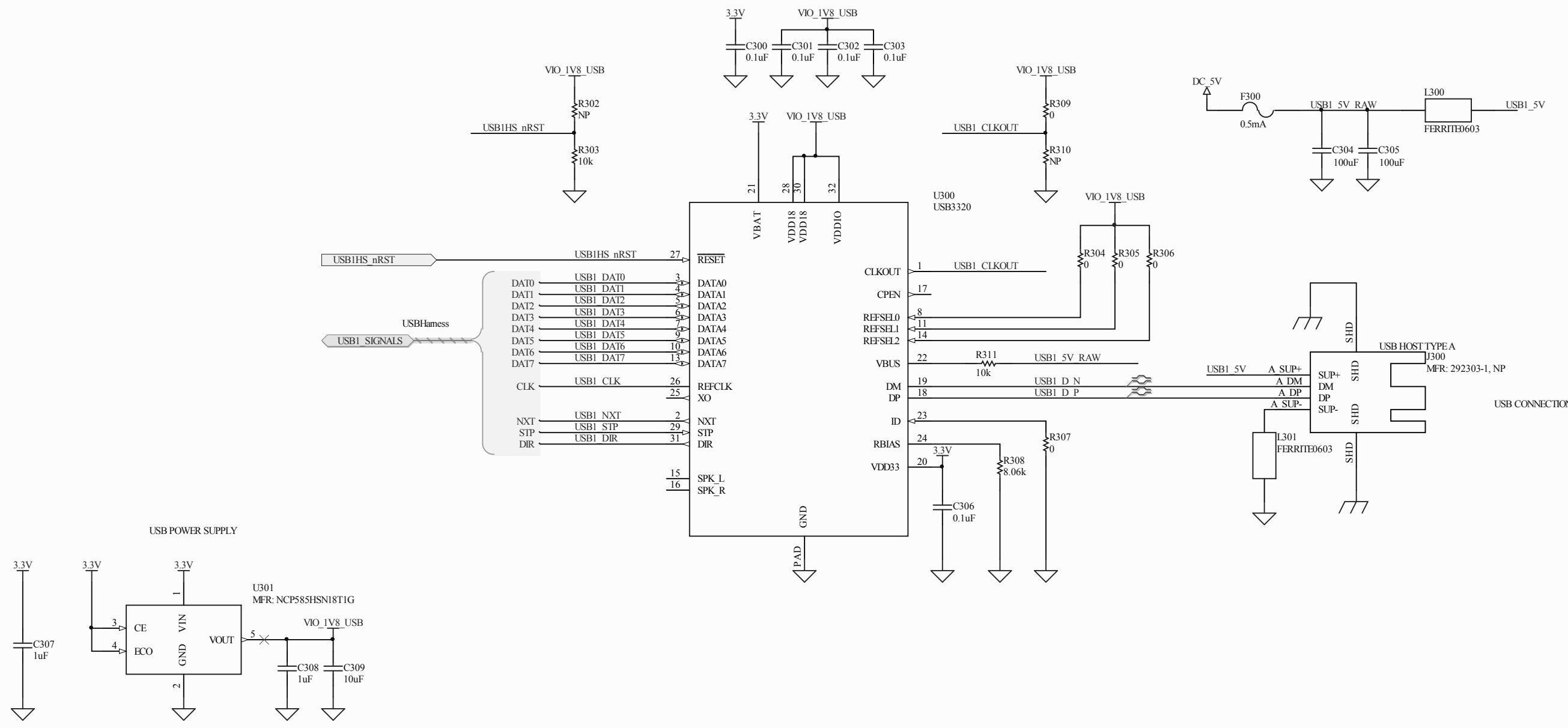


SHEET INDEX	SHEET DESCRIPTION
1	SignalMap - Top Level Design (This Page)
2	Power & Processor
3	USB & Serial
4	Ethernet
5	Audio & Expansion
6	DM
7	LCD

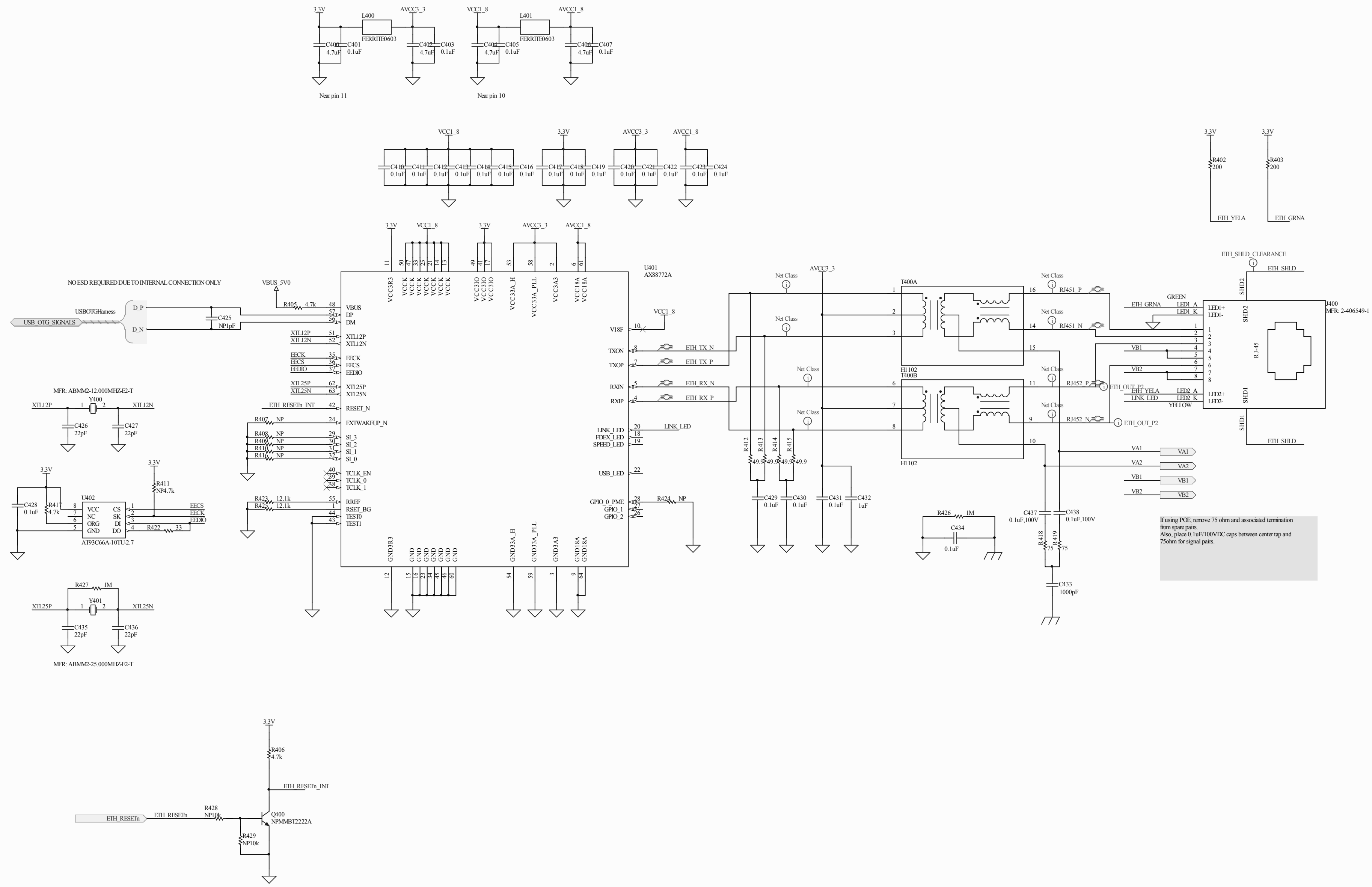
REVISION	DESCRIPTION	DATE
20090827-0.90	Initial creation	08/27/2009



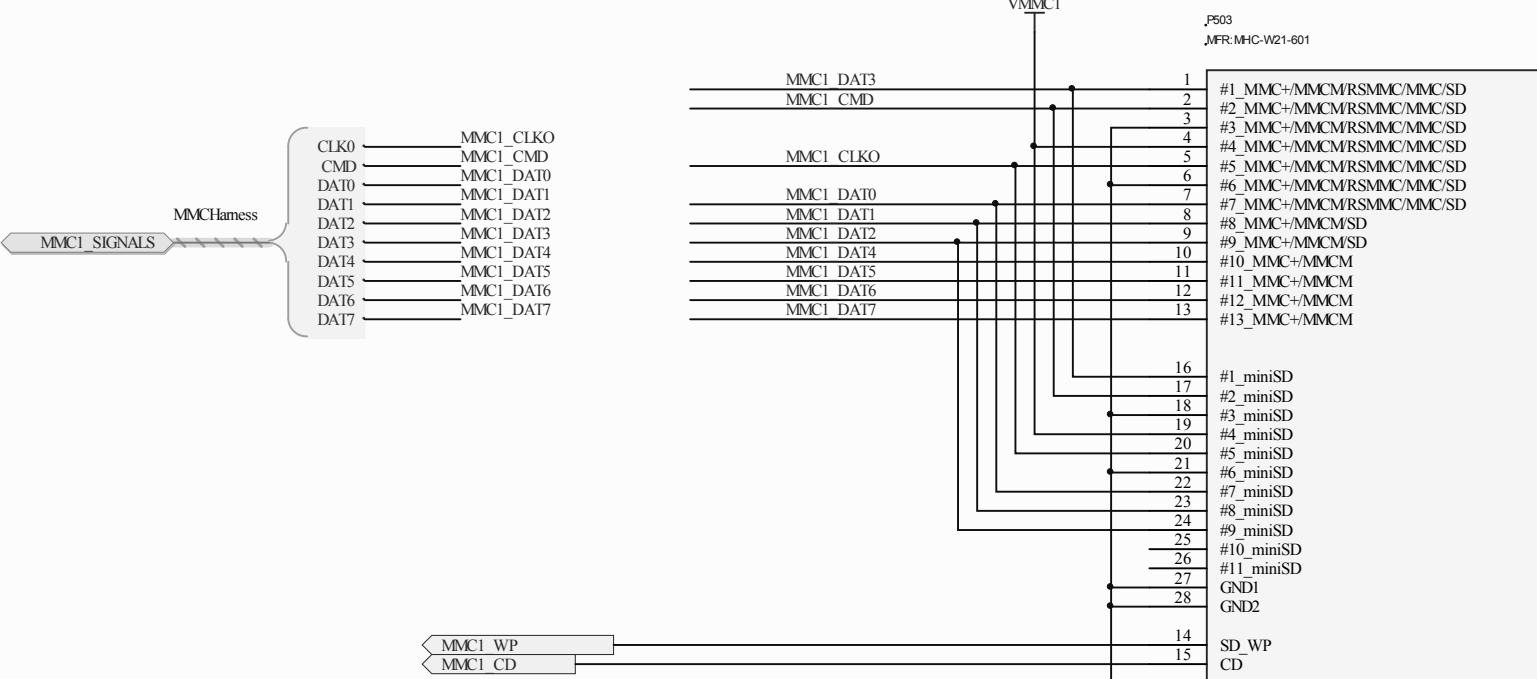
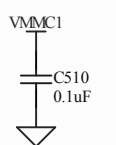
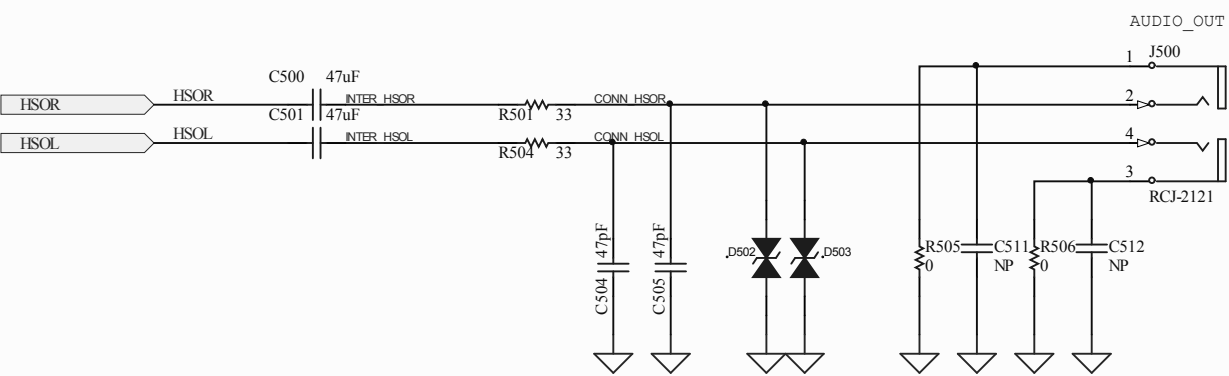
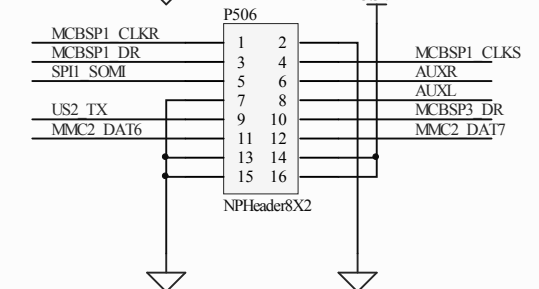
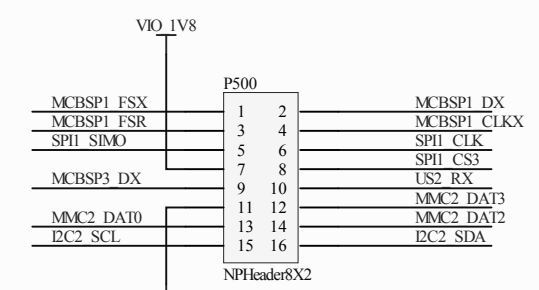
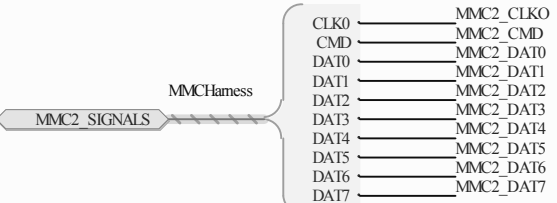
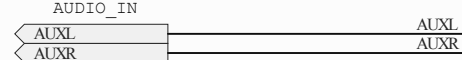
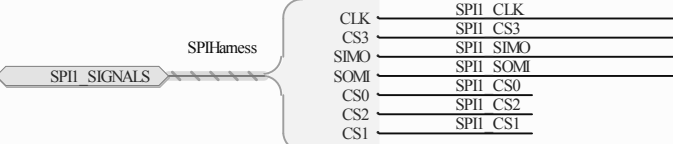
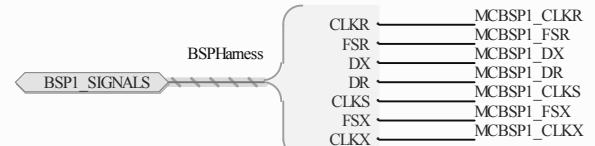
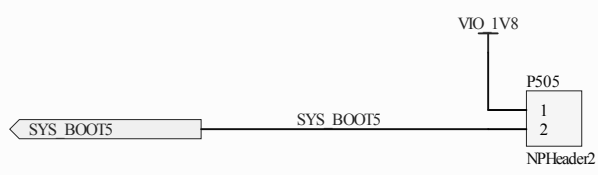
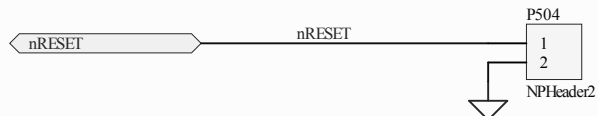
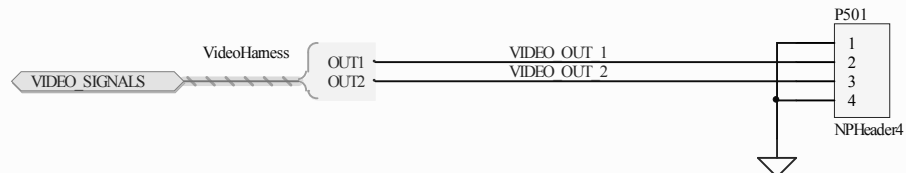




- CABLE-SIDE SIGNALS
- BLK (GND)
  - BROWN (CTS#)
  - RED (VCC)
  - ORANGE (TXD)
  - YELLOW (RXD)
  - GREEN (RTS#) NOT CONNECTED



If using PoE, remove 75 ohm and associated termination from spare pairs. Also, place 0.1uF/100VDC caps between center tap and 75ohm for signal pairs.



SD/MMC Connector 6 in 1  
MMC+, MMCmobile, SD, MMC,  
miniSD, RS-MMC

